

极限真空 8kPa[abs]以下  
流量 120~330L/min (50Hz)

Ultimate vacuum 8kPa[abs] or low  
Capacity 120~330L/min (50Hz)



Photo:KHA400-P-V-03

特长

- 在极限真空度（8kPa以下）时能连续运行
- 运行真空度高、最适合于电子元器件等小型零部件的自动机器（安装机械等）

Features

- It is possible to make continuous operation at the reached degree of vacuum(8kPa or less)
- Since the operating degree of vacuum is high, they are most suitable to use with the automatic machines(mounting machine,etc.) for small parts such as electronics parts.

规格

| 型号<br>Model                       | 转速<br>Speed<br>(rpm) | 设计排气量<br>Designed pumping capacity |      | 到达极限真空<br>Ultimate vacuum<br>※2<br>(kPa[abs]) | 配管连接孔径<br>Suction, exhaust port diameter |
|-----------------------------------|----------------------|------------------------------------|------|---|--|
|                                   |                      | (L/min) (※1)                       |      |   |  |
|                                   |                      | 50Hz                               | 60Hz |   |  |
| KHA□-P-□□                         |                      |                                    |      |   |  |
| 200-P-V-01<br>.....<br>200-P-V-03 | 1200                 | 120                                | 145  | 8   | Rc1/4                                    |
| 400-P-V-01<br>.....<br>400-P-V-03 | 1190                 | 220                                | 260  | 8   | Rc3/8                                    |
| 750-P-V-03                        | 1190                 | 330                                | 400  | 8   | Rc3/8                                    |

Specifications

| 电源<br>Motor voltage | 单相<br>single phase |      | 三相<br>Three phase |      | 噪音<br>Noise (dB) |      | 重量<br>Mass (Kg)    |                   | 装载电机<br>(kw)<br>Motor |
|---------------------|--------------------|------|-------------------|------|------------------|------|--------------------|-------------------|-----------------------|
|                     | 100V               | 220V | 200V              | 380V | 50Hz             | 60Hz | 单相<br>Single phase | 三相<br>Three phase |                       |
|                     | 50Hz / 60Hz        |      |                   |      |                  |      |                    |                   |                       |
|                     | ○                  | ○    |                   |      | 61               | 62   | 15                 |                   | 0.25                  |
|                     |                    |      | ○                 | ○    | 61               | 62   |                    | 13                |                       |
|                     | ○                  | ○    |                   |      | 63               | 66   | 28                 |                   | 0.4                   |
|                     |                    |      | ○                 | ○    | 63               | 66   |                    | 22.5              |                       |
|                     |                    |      | ○                 | ○    | 67               | 70   |                    | 33                | 0.75                  |

※1设计排气量：由容积所要求的理论值。实际流量参考性能实测数据。

※2泵到达最高真空点时可连续运行使用的压力。

※使用压力范围：48kPa[abs]~到达压力

※允许脉动范围：13.3kPa/s 以内

※也备有排气管道配管型（KHA 200A.400A.750A）。

管道配管的允许阻力：25 kPa以下（不可以用于排气）

※使用环境（吸入空气）条件：温度：0~40℃、湿度：通常湿度（65 ± 20%），

※因为高真空泵在压缩比高时、泵内部容易结露、所以必须要采取以下措施防止生锈。

● 试运行、吸气侧加上48 kPa[abs]以下的负荷、连续运行5分钟以上。

● 试运行和工作时间在5分钟以内时，为了除去凝结露水、开放吸气侧、进行10~15分钟的空（干燥）运行。

※电源电压的允许波动范围为额定电压±10%。请设置过负荷保护器（热敏继电器等）。

设定值：请以电机标牌上记载的额定电流值为标准。

※ 1 Design displacement: Logic value calculated from the cubic volume regarding the actual flow rate, refer to the actual measurement data of performances.

※ 2 Pressure level where continuous operation is possible at the maximum degree of vacuum reached by the pump.

※ Using pressure range:48kPa<abs>~Reaching pressure.

※ Allowable pulsation range:within 13.3kPa/s.

※ Those types with which duct piping can be used for the exhaust circuit are also available.(KHA 200A.400A.750A).

※ Allowable resistance of the duct piping:25kPa or less (Cannot be used for exhaust gas)

※ As the intake gas,use clean air of ordinary temperature and ordinary humidity whenever possible.[Using environmental conditions (intake air) should be 0~40℃ in the temperature and 65 ± 20% in the humidity].

※ Since high degree vacuum pumps possess higher compression ratio and more dewing occurs inside the pump,it is necessary to take rusting trouble preventive measure as follows.

※ As the test operation,make continuous operation for more than 5 minutes applying a load or 48kPa[abs] or less to the suction side.

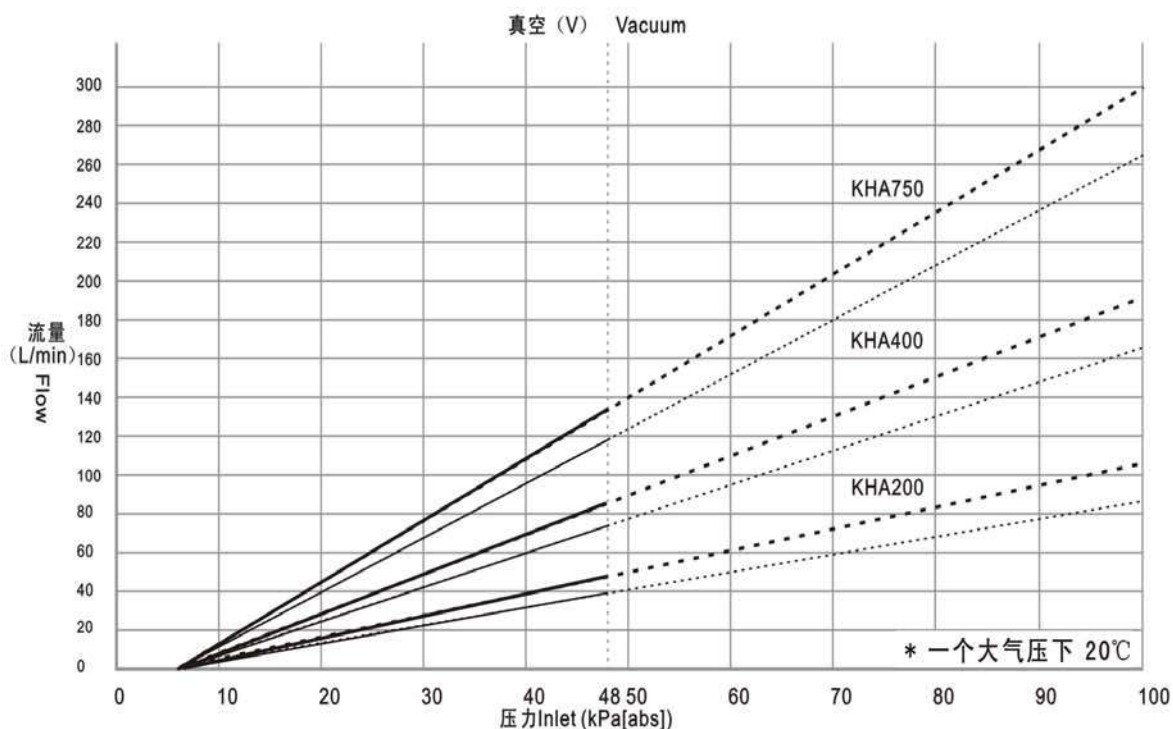
※ If in test operation or the regular operation time is less than 5 minutes,make no load (dry) operation for 10 to 15 minutes opening the suction side in order to remove the dewing water.

※ The allowable variation range of the supply voltage should be rated voltage(10%).

※ Install an overload protector (thermal relays,etc.).  
Setting value:Use the rated current value being indicated on the specification plate of the motor as target value.

## 性能实测数据 (60Hz —50Hz)

## Performance data

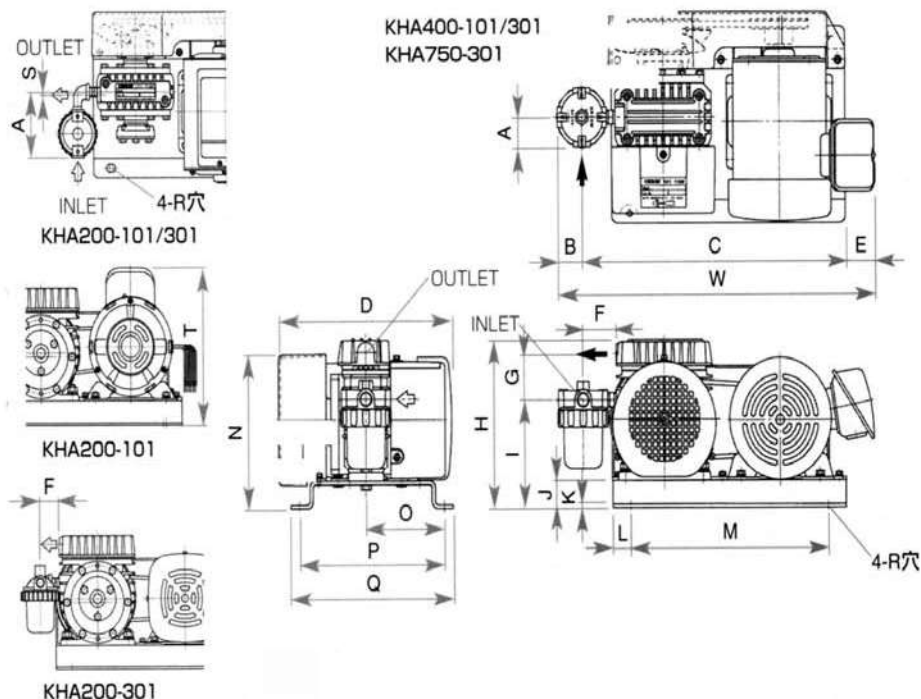


※性能实测数据表示带过滤器的数据。配管连接时，由于有阻力、流量会有所不同。  
 ※要在48 kPa[abs]以上（性能数据的虚线）时的连续运行，则请预先与经销商联系。  
 ※在1个大气压下 20°C

※ Performance curves show the data with a filter. Air flow may differ depending on piping resistance.  
 ※ For application over 48kPa [abs] please ask for ORION dealers before use.  
 ※ Under one normal atmospheric pressure 20°C

## 外形尺寸 (尺寸单位: mm)

## Outer dimensions (Unit:mm)



| 型式         | H     | D       | W     | A    | B    | C     | E    | F    | G    | I     | J  | K   | L  | M   | N   | O    | P   | Q   | R   | S   | T | U |
|------------|-------|---------|-------|------|------|-------|------|------|------|-------|----|-----|----|-----|-----|------|-----|-----|-----|-----|---|---|
| 200-P-V-01 | (180) | (225)   | (346) | (87) | (25) | (290) | -    | (31) | 51.4 | 117   | 32 | 3.2 | 25 | 240 | 164 | 1005 | 180 | 205 | 4   | 207 | - | - |
| 200-P-V-03 |       | (218)   |       |      |      |       |      |      |      |       |    |     |    |     |     |      |     |     |     |     |   |   |
| 400-P-V-01 |       | (264)   | (408) |      |      |       |      |      |      |       |    |     |    |     |     |      |     |     |     |     |   |   |
| 400-P-V-03 | (199) | (247)   | (451) | (35) | (42) | (330) | -    | (47) | 55   | 127   | 32 | 4.5 | 25 | 280 | 180 | 111  | 205 | 230 | ∅9  | -   | - | - |
| 750-P-V-03 | (234) | (296.5) | (482) | (35) | (44) | (360) | (42) | (51) | 68   | 144.5 | 32 | 4.5 | 30 | 300 | 198 | 88.5 | 215 | 240 | ∅10 | -   | - | - |